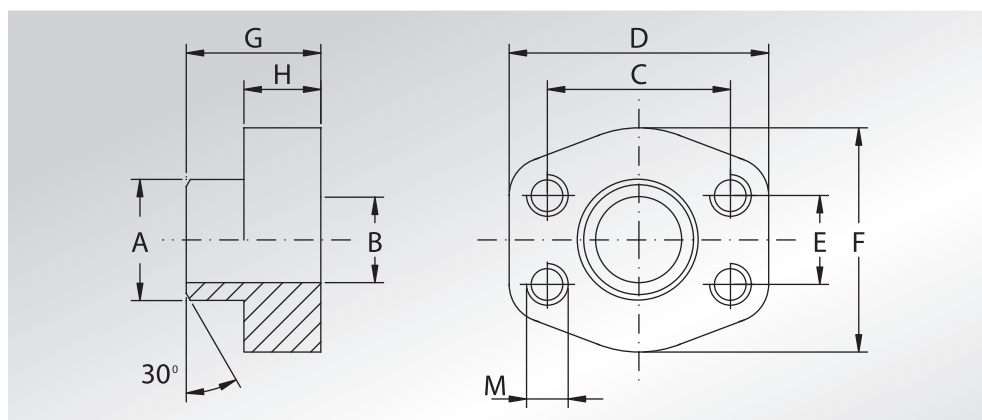




# CONTROFLANGE A SALDARE DI TESTA SCH.160

## WELD ON COUNTER-FLANGES SCH.160



Pressione max di esercizio raccomandata Kg/cm <sup>2</sup>	Grandezza	Tipo	Dimensioni										Peso Kg	
Maximum recommended working pressure Kg/cm <sup>2</sup>	Size	Type	Dimensions										Weight Kg	
			A	B	C	D	E	F	G	H	M			
<b>SERIE 3000</b>													<b>Metric</b>	<b>Unc</b>
345	1/2"	GFS080STB11	21,5	11,8	38,10	57	17,48	46	36	16	M8	5/16	0,25	
345	3/4"	GFS100STB15	28,0	15,6	47,63	65	22,23	50	36	18	M10	3/8	0,39	
345	1"	GFS102STB20	34,0	20,7	52,37	70	26,19	55	38	18	M10	3/8	0,45	
276	1"1/4	GFS104STB29	42,8	29,5	58,72	79	30,18	68	41	21	M10	7/16	0,69	
207	1"1/2	GFS106STB34	48,6	34	69,85	93	35,71	78	44	25	M12	1/2	1,05	
207	2"	GFS108STB42	61,0	42,8	77,77	102	42,88	90	45	25	M12	1/2	1,22	
172	2"1/2	GFS110STB54	77,0	54	88,90	114	50,80	105	50	25	M12	1/2	1,63	
138	3"	GFS112STB67	92,0	67,7	106,38	134	61,93	124	50	27	M16	5/8	2,42	
34	4"	GFS116STB87	115,5	87,3	130,18	162	77,77	146	48	27	M16	5/8	2,94	
34	5"	GFS118STB109 (•)	140,2	109,5	152,40	184	92,08	180	50	28	M16	5/8	3,60	
<b>SERIE 6000</b>														
414	1/2"	GFS401ST012B11	21,5	11,8	40,49	57	18,24	46	36	16	M8	5/16	0,25	
414	3/4"	GFS402STB15	28,0	15,6	50,80	71	23,80	55	35	21	M10	3/8	0,52	
414	1"	GFS403STB20	34,0	20,7	57,15	79	27,76	68	41	21	M12	7/16	0,70	
414	1"1/4	GFS404STB29	42,8	29,5	66,68	93	31,75	78	44	25	M14	1/2	1,08	
414	1"1/2	GFS405STB34	48,6	34	79,38	112	36,50	94	55	28	M16	5/8	1,76	
414	2"	GFS406STB42	61,0	42,8	96,82	134	44,45	114	65	37	M20	3/4	2,98	
350	2"1/2	GFS507STB54	76,6	54	123,80	180	58,70	152	80	45	M24	—	6,50	
350	3"	GFS508STB67	90,0	67,7	152,40	208	71,40	178	90	55	M30	—	-	

PER QUESTA TIPOLOGIA DI PRODOTTO, VERIFICATE SEMPRE SE LA QUOTA "A" E "B" CORRISPONDE ALLA SCHEDULA DEL VOSTRO TUBO

FOR THIS KIND OF PRODUCT, PLEASE ALWAYS VERIFY IF DIMENSION "A" AND "B" CORRESPOND TO THE SCHEDULE OF YOUR TUBE

DESIGNAZIONE PER ORDINE DESIGNATION FOR ORDER	Materiale / Material	
	ST52.3	AISI 316L
Controflangia con fori di fissaggio filettati metrici Counter-flange with metric threaded fixing holes	<b>GFS...STB</b>	<b>GFX...STB</b>
Controflangia con fori di fissaggio filettati unc Counter-flange with unc threaded fixing holes	<b>GFS...STB...U</b>	<b>GFX...STB...U</b>

### NOTE / NOTES

- (•) Solo in ST52.3
- (•) Only in ST52.3